

PAPR unit

Powered Air Purifying Respirator



The ESAB PAPR (Powered Air Purifying Respirator) system combined with the ESAB welding helmets, offers heavy duty protection from welding fume and dust when welding, gouging & grinding. The unit features the latest in PCB Board technology, allowing the welder to adjust the air flow from 170 l/min to 220 l/min to suit the environment and application. This is highlighted by an LED airflow indicator on top of the unit. The PAPR unit is equipped with audio & visual blocked filter and low battery alarms, offering extra safety for the welder. The strong physical construction of the PAPR unit also makes it extremely robust and suitable for all heavy duty welding applications.

The PAPR unit has been tested in combination with the following ESAB helmets: Sentinel A50, Warrior Tech, G50, G40, G30 and F20.

Industry

- Agricultural Equipment
- Automotive
- General Manufacturing
- Heavy Fabrication
- Industrial and General Fabrication

- User adjustable air flow 170/220 l/min
- Li-Ion battery pack (up to 8hr duration @ 220 l/min)
- P3 filter and pre-filter
- International intelligent charger (interchangeable pins)
- Audio/visual blocked filter and low battery alarm

Visit esab.com for more information.



PAPR unit delivered with: Motor unit, Battery, Intelligent charger, P3 filter + Pre filter, Waist belt, Hose and proban hose cover



Kit bag available as a accessory item

PAPR unit

Specifications

Air Flow	170 - 220 l/min (6 - 7.8 cfm)
Battery Time	Up to 8h @ 220 l/min (7.8 cfm)
Filter	P3 filter and pre-filter
Certifications	CE EN12941
Dimensions LxWxH	185 x 100 x 160 mm (7.3 x 4 x 6.3 in.)
Weight	1 kg (2.2 lbs)

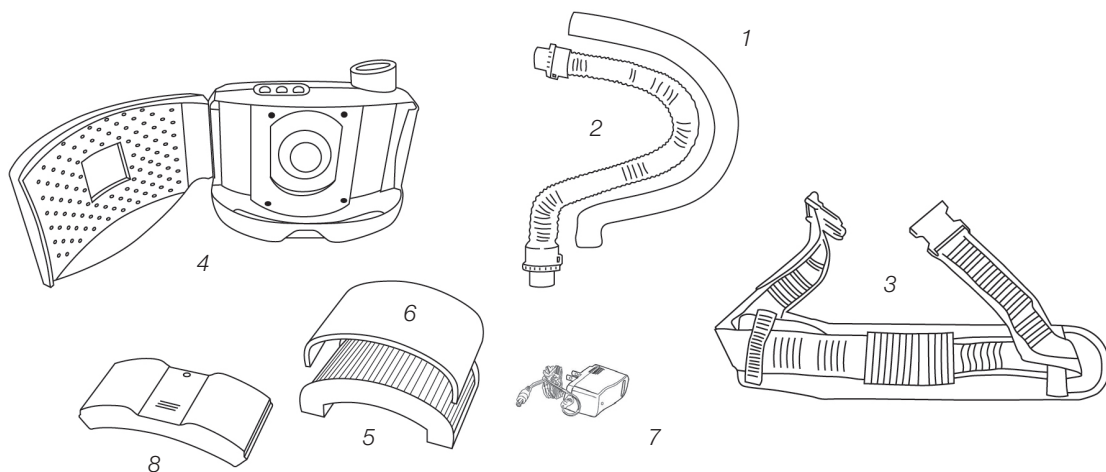
Ordering Information

Description	Part Number
PAPR with Standard Hose 850 mm (33.5 in)	0700002300
PAPR with Long Hose 1000 mm (39.4 in)	0700002301

PAPR unit delivered with Motor unit, Battery, Intelligent charger, P3 filter + Pre filter, Waist belt, Hose and proban hose cover.

Wear & Spare Parts

Description	Part Number
1 Proban Hose Cover 1000 mm (39.4 in)	0700002303
1 Proban Hose Cover 850 mm (33.5 in)	0700002304
2 Air Hose Standard 850 mm (33.5 in)	0700002305
2 Air Hose Long 1000 mm (39.4 in)	0700002306
3 Comfort Pad Incl. Waist Belt	0700002307
4 Motor Unit	0700002308
5 P3 filter	0700002309
6 Pre-filter Pk 5	0700002310
7 Intelligent Charger	0700002311
8 Battery	0700002312
8 Battery HD	0700002313
Kit Bag (empty)	0700002315
Waist Belt Shoulder Harness	0700002316



ESAB / esab.com

