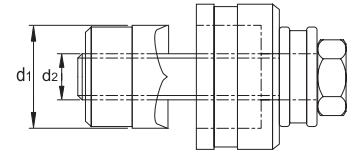


> 67.100 Phantom

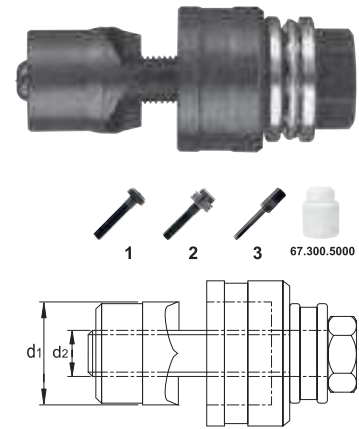
- NL **Gatenpons voor handgebruik, incl bout (1) / bout en lager (2)**
 FR **Emporte-pièces pour usage à la main, Boulon inclus (1) / Boulon à roulement à billes (2)**
 ES **Sacabocado para uso manual, con tornillo (1) / tornillo y rodamiento de bolas (2)**
 DE **Blechlocher für Handgebrauch, mit Schraube (1) / Schraube und Kugellager (2)**



Ref.	d1	M	PG	1	d2	2	d2
67.100.1270	12.7	12	7	67.300.0940	9,5x40		
67.100.1271	12.7	12	7			67.300.0951	9,5x50
67.100.1520	15.2		9	67.300.0940	9,5x40		
67.100.1521	15.2		9			67.300.0951	9,5x40
67.100.1600	16.2	16		67.300.0940	9,5x40		
67.100.1601	16.2	16				67.300.0951	9,5x50
67.100.1860	18.6		11	67.300.0940	9,5x40		
67.100.1861	18.6		11			67.300.0951	9,5x50
67.100.2040	20.4	20	13	67.300.0940	9,5x40		
67.100.2041	20.4	20	13			67.300.0951	9,5x50
67.100.2200	22			67.300.0940	9,5x40		
67.100.2201	22					67.300.0951	9,5x50
67.100.2250	22.5		16	67.300.0940	9,5x40		
67.100.2251	22.5		16			67.300.0951	9,5x50
67.100.2500	25			67.300.0950	9,5x50		
67.100.2501	25					67.300.0951	9,5x50
67.100.2540	25.4	25		67.300.0950	9,5x50		
67.100.2541	25.4	25				67.300.0951	9,5x50
67.100.2830	28.3		21	67.300.0950	9,5x50		
67.100.2831	28.3		21			67.300.0951	9,5x50
67.100.3050	30.5			67.300.0950	9,5x50		
67.100.3051	30.5					67.300.0951	9,5x50
67.100.3170	31.7			67.300.0950	9,5x50		
67.100.3171	31.7					67.300.0951	9,5x50
67.100.3200	32.5	32		67.300.0950	9,5x50		
67.100.3201	32.5	32				67.300.0951	9,5x50
67.100.3500	35			67.300.1955	19x55		
67.100.3501	35					67.300.1956	19x55
67.100.3700	37		29	67.300.1955	19x55		
67.100.3701	37		29			67.300.1956	19x55
67.100.3800	38			67.300.1955	19x55		
67.100.3801	38					67.300.1956	19x55
67.100.4050	40.5	40		67.300.1955	19x55		
67.100.4051	40.5	40				67.300.1956	19x55
67.100.4700	47		36	67.300.1975	19x75		
67.100.4701	47		36			67.300.1976	19x75
67.100.5050	50.5	50		67.300.1975	19x75		
67.100.5051	50.5	50				67.300.1976	19x75
67.100.5400	54		42	67.300.1975	19x75		
67.100.5401	54		42			67.300.1976	19x75
67.100.6000	60		48	67.300.1975	19x75		
67.100.6001	60		48			67.300.1976	19x75
67.100.6350	63.5	63		67.300.1975	19x75		
67.100.6351	63.5	63				67.300.1976	19x75
67.100.7000	70			67.300.1975	19x75		
67.100.7001	70					67.300.1976	19x75
67.100.7550	75.5	75		67.300.1975	19x75		
67.100.7551	75.5	75				67.300.1976	19x75

> **67.120 Phantom**

- NL **Gatenpons met 3-voudig splijtstempel, voor hand- en hydraulisch gebruik, incl bout**
- FR **Emporte-pièces à trois pointes, pour usage à la main et hydraulique, Boulon inclus**
- ES **Sacabocado con punzón cortador, para uso manual e hidráulico, con tornillo**
- DE **Blechlocher mit Spaltstempel, für hydraulischen Gebrauch, mit Schraube**



Ref.	d1	M	PG	1	d2	2	d2
67.120.1201	12.5	12		67.300.0949	6x40	67.300.1992	19x6
67.120.1521	15.2		9	67.300.0951	9,5x50	67.300.1993	19x9,5
67.120.1601	16.2	16		67.300.0951	9,5x50	67.300.1993	19x9,5
67.120.1861	18.6		11	67.300.0951	9,5x50	67.300.1993	19x9,5
67.120.2041	20.4	20	13	67.300.0951	9,5x50	67.300.1993	19x9,5
67.120.2251	22.5		16	67.300.0951	9,5x50	67.300.1993	19x9,5
67.120.2501	25.4	25		67.300.0951	9,5x50	67.300.1993	19x9,5
67.120.2831	28.3		21	67.300.0951	9,5x50	67.300.1993	19x9,5
67.120.3051	30.5			67.300.0951	9,5x50	67.300.1993	19x9,5
67.120.3201	32.5	32		67.300.1956	19x55	67.300.1991	19
67.120.3701	37		29	67.300.1956	19x55	67.300.1991	19
67.120.4001	40.5	40		67.300.1976	19x75	67.300.1991	19
67.120.4701	47		36	67.300.1976	19x75	67.300.1991	19
67.120.5001	50.5	50		67.300.1976	19x75	67.300.1991	19
67.120.5401	54		42	67.300.1976	19x75	67.300.1991	19
67.120.6001	60		48	67.300.1976	19x75	67.300.1991	19
67.120.6301	63.5	63		67.300.1976	19x75	67.300.1991	19

> **67.130 Phantom**

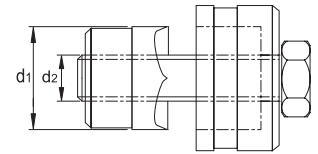
- NL **Gatenpons met 3-voudig splijtstempel, voor hand- en hydraulisch gebruik, roestvaststaal, excl. bout**
- FR **Emporte-pièces à trois pointes, pour usage à la main et hydraulique, Inox, boulon non inclus**
- ES **Sacabocado con punzón cortador, para uso manual e hidráulico, acero inoxidable, sin tornillo.**
- DE **Blechlocher mit Spaltstempel, für hydraulischen Gebrauch, rostfreien Stahl, ohne Schraube**



Ref.	d1	M	PG	1	d2	2	d2	3
67.130.1200	12.5	12		67.300.0949	6x40			67.300.3030
67.130.1521	15.2		9	67.300.1110	11.1x60	67.300.1995	19x1.1	67.300.3030
67.130.1600	16.2	16		67.300.1110	11.1x60	67.300.1995	19x1.1	67.300.3030
67.130.1861	18.6		11	67.300.1110	11.1x60	67.300.1995	19x1.1	67.300.3030
67.130.2041	20.4	20	13	67.300.1110	11.1x60	67.300.1995	19x1.1	67.300.3030
67.130.2251	22.5		16	67.300.1110	11.1x60	67.300.1995	19x1.1	67.300.3030
67.130.2500	25.4	25		67.300.1110	11.1x60	67.300.1995	19x1.1	67.300.3030
67.130.2831	28.3		21	67.300.1956	19x55	67.300.1991	19	67.300.3000 / 67.300.3010 / 67.300.3020
67.130.3050	30.5			67.300.1956	19x55	67.300.1991	19	67.300.3000 / 67.300.3010 / 67.300.3020
67.130.3200	32.5	32		67.300.1956	19x55	67.300.1991	19	67.300.3000 / 67.300.3010 / 67.300.3020
67.130.3701	37		29	67.300.1956	19x55	67.300.1991	19	67.300.3000 / 67.300.3010 / 67.300.3020
67.130.4000	40.5	40		67.300.1976	19x75	67.300.1991	19	67.300.3000 / 67.300.3010 / 67.300.3020
67.130.4701	47		36	67.300.1976	19x75	67.300.1991	19	67.300.3000 / 67.300.3010 / 67.300.3020
67.130.5000	50.5	50		67.300.1976	19x75	67.300.1991	19	67.300.3000 / 67.300.3010 / 67.300.3020
67.130.5401	54		42	67.300.1976	19x75	67.300.1991	19	67.300.3000 / 67.300.3010 / 67.300.3020
67.130.6001	60		48	67.300.1976	19x75	67.300.1991	19	67.300.3000 / 67.300.3010 / 67.300.3020
67.130.6300	63	63		67.300.1976	19x75	67.300.1991	19	67.300.3000 / 67.300.3010 / 67.300.3020

> 67.250 Phantom

NL **Gatenpons Sanitair, incl bout**
 FR **Emporte-pièces Sanitaire, Boulon inclus**
 ES **Sacabocado Sanitario, con tornillo**
 DE **Blechlocher Sanitär, mit Schraube**



Ref.	d1	1	d2
67.250.2830	28.3	67.300.1010	M10x1
67.250.3170	31.7	67.300.1010	M10x1
67.250.3500	35	67.300.1010	M10x1

> 67.290 Phantom

NL **Hydraulische Handpomp**
 FR **Pompe Hydraulique**
 ES **Aparato Hidráulico manual**
 DE **Hydraulische Handpumpe**



Ref.	Contents
67.290.1000	Hydraulic Hand Pump

> **69.216 Phantom**

- NL HSS-Co Set Kernboren genitreed, snijdiepte 50 mm, 62.162
- FR Jeu de Fraises à carotter HSS-Co nitrué, profondeur de coupe 50 mm, 62.162
- ES Juego de Fresas huecas HSS-Co niturada, profundidad de corte 50 mm, 62.162
- DE HSS-Co Satz Kernbohrer nitriert, Schnitttiefe 50 mm, 62.162



HSS-Co NIT. 0,5-50 mm Ø19 WELDON Ø19 QUICK

P 11 ≤600 N/mm ²	P 12 ≤850 N/mm ²	P 13 ≤1000 N/mm ²	P 14 ≤1400 N/mm ²	M 21 INOX ≤850N/mm ²	M 22 INOX >850N/mm ²	K 31 GG	K 32 GGG GTS-GTW	N 41 Alu	N 42 Alu Si>10%	N 51 Cu	N 52 CuAlFe	N 61 PTC
31	18	16	9	10	4	20	16	38	40	36	36	22

Ref.	Ø mm
69.216.2001	14-16-18-20-22-26 + 62.300.0050

> **69.710 Phantom**

- NL Set met Gatenponsen 67.100
- FR Jeu d'Emporte-pièces 67.100
- ES Juego de Sacabocados 67.100
- DE Satz Blechlocher 67.100



Ref.	1	2	3	4
69.710.2101	PG 9, PG 11, PG 13, PG16, PG21	67.300.0951 (2x) 9,5x50	67.300.9000 (11,5)	67.300.5000

> **69.712 Phantom**

- NL Set met Gatenponsen met 3-voudig splijtstempel, voor hand- en hydraulisch gebruik, 67.120
- FR Jeu d'Emporte-pièces à trois pointes, pour usage à la main et hydraulique, 67.120
- ES Juego de Sacabocados con punzón cortador, para uso manual e hidráulico, 67.120
- DE Satz Blechlocher mit Spaltstempel, für hydraulischen Gebrauch, 67.120



Ref.	1	2	3	4
69.712.3051	PG9, PG11, PG13, PG16, PG21 + 30,5	67.300.0951 (2x) 9,5x50	67.300.8990 (10 mm)	67.300.5000
69.712.6001	PG9, PG11, PG13, PG16, PG21, PG29, PG36, PG42, PG48 + 30,5	67.300.0951 (2x) 9,5x50 - 67.300.1956 19x55 - 67.300.1976 19x75	67.300.8990 (10 mm)	67.300.5000
69.712.7001	M12, M16, M20, M25, M32, M40	67.300.0949 6x40 - 67.300.0951 9,5x50 - 67.300.1956 19x55	67.300.8990 (10 mm)	67.300.5000
69.712.7002	M16, M20, M25, M32, M40, M50, M63	67.300.0951 (2x) 9,5x50 - 67.300.1956 19x55 - 67.300.1976 19x75	67.300.8990 (10 mm)	67.300.5000