

## WALLPRO DOUBLE

### STATIONARY WELDING FUME EXTRACTOR

The WallPro Double is a stationary welding fume filter including two extraction arm and a fan. The highly efficient filter cartridge is automatically cleaned by the integrated RamAir™ pulse amplifier, based on external compressed air supply.

Unlike most similar stationary filter units, filter cleaning also takes place *offline* (fan off), which is much more effective than the usual online (fan on).

The extraction arms can be mounted directly to the filter unit ("DM" types) or at an external position ("EM" types).

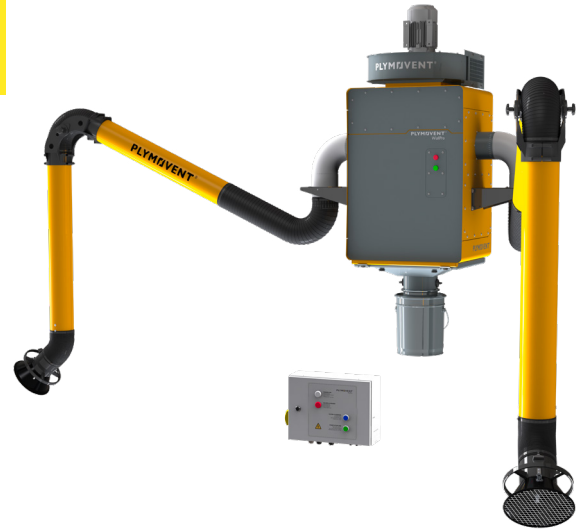


Image: WallPro Double "DM"

### APPLICATIONS

The WallPro Double is intended to be used for the following applications:

- MIG-MAG/GMAW welding
- TIG welding
- FCAW welding
- stick/MMAW welding
- stainless steel welding
- grinding
- polishing
- finishing



### SPECIFICATIONS (general)

#### Physical dimensions and properties (filter unit)

Material (housing):	electro-zinc coated steel (according to DIN EN 10152)
• steel grade	• DC01+ZE
• steel grade no.	• 1.0330
Colour	yellow RAL 1004 grey RAL 7011
Weight (net), excl. arms	125 kg
Supply cable	not included
Capacity of dustbin	18 litres

#### Filter cartridge

Type	CART-O/PTFE/20
Filter material	BiCo polyester with PTFE membrane
Filter surface area	20 m <sup>2</sup>
Shape	cylindric
Washable	no
Lifetime expectancy	ref. explanation on page 4

#### Compressed air system

Required compressed air quality	dry and oil-free according to ISO 8573-3 class 6
Inlet pressure	5-10 bar (75-150 PSI)
Required pressure	5 bar (75 PSI) (by integrated pressure regulator)
Compressed air connection	G 3/8" (female)
Compressed air consumption	35 NI (1.2 ft <sup>3</sup> ) per pulse
Volume of compressed air tank	9 litres (2.4 gallon)

Activation of filter cleaning system (both online and offline)	<ul style="list-style-type: none"> <li>• pressure controlled</li> <li>• manually by push button</li> <li>• at shutdown</li> </ul>
Duration of filter cleaning cycle	60 seconds (6 pulses)

#### Ambient and process conditions

Process temperature:	<ul style="list-style-type: none"> <li>• min. 5°C (41°F)</li> <li>• nom. 20°C (68°F)</li> <li>• max. 70°C (158°F)</li> </ul>
Max. relative humidity	90%
Suitable for outdoor use	no
Storage conditions	<ul style="list-style-type: none"> <li>• 5-45°C (41-113°F)</li> <li>• relative humidity max. 80%</li> </ul>




#### Options and accessories (general)

Dustbin extension set	<ul style="list-style-type: none"> <li>• metric Ø 200 mm</li> <li>• imperial Ø 8 inch</li> </ul>
WCS-WP	welding cable sensor
Filter disposal bag (5 pieces)	for dust-free filter removal

#### Scope of supply

Filter unit (without side panels) – Side panel set – Extraction arm (2) – Mounting bracket (2) – Fan – Dustbin – Air hose (filter pressure) 2x10 m – Control box – Arm/duct mounting kit (inlet flange + non-return valve) – SealApplicator (seal assembly lubricant) – Fan outlet transition from rectangular to round – Filter disposal bag (5 pieces)

### APPROVALS/CERTIFICATES

 50Hz	 60Hz	Control box
Welding fume class	W3 according to ISO 15012-1:2013	
	Directive 2011/65/EC (RoHS) valid as of 8 June 2011	

**SPECIFICATIONS (per product type)**

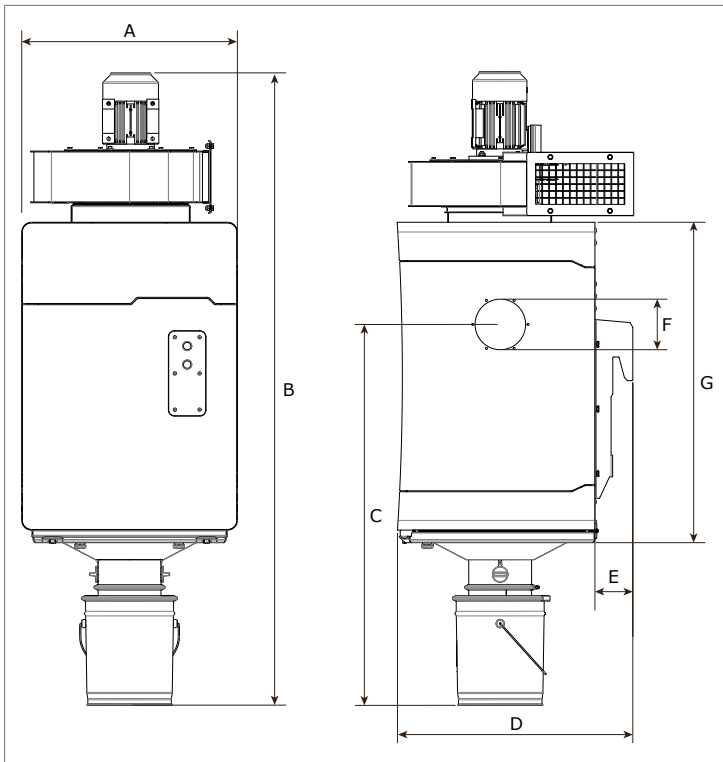
WallPro Double-	160/3-DM	160/4-DM	200/3-DM	200/4-DM
	160/3-EM	160/4-EM	200/3-EM	200/4-EM
<b>■ Extraction arm (2)<sup>1</sup></b>				
Type	KUA-160/3H	KUA-160/4H	KUA-200/3H	KUA-200/4H
Length	3 m	4 m	3 m	4 m
Diameter	Ø 160 mm		Ø 200 mm	
<b>■ Extraction fan<sup>1</sup></b>				
Type	FUA-4700		FUA-4700	
Power consumption	2,2 kW (3 HP)		2,2 kW (3 HP)	
Motor design: • 50Hz units • 60Hz units	IEC NEMA		IEC NEMA	
Energy efficiency: • 50Hz units • 60Hz units	IE3 premium		IE3 premium	
Fan outlet (via adapter)	Ø 250 mm		Ø 250 mm	
<b>■ Performance</b>				
Extraction capacity	max. 2 x 1000 m <sup>3</sup> /h (2 x 560 CFM)		max. 2 x 1450 m <sup>3</sup> /h (2 x 855 CFM)	
Noise level <sup>2</sup> • with optional silencer	76 dB(A) 71 dB(A)		76 dB(A) 71 dB(A)	
<b>■ Options and accessories</b>				
Silencer	SAS-250 straight		SAS-250 straight	
Manual on/off switch on the hood, incl. LED working light	LL-5.5/24-200		LL-5.5/24-200	

<sup>1</sup> Refer to the separate product data sheets for more detailed information

<sup>2</sup> According to ISO 3746

<b>■ Order information</b>				
	Article no.	Article no.	Article no.	Article no.
WallPro Double-	160-3/DM	160/4-DM	200/3-DM	200/4-DM
400V/3ph/50Hz	0000117360	0000117376	0000117400	0000117425
208-230V/3ph/60Hz	0000117361	0000117377	0000117401	0000117426
460V/3ph/60Hz	0000117362	0000117378	0000117402	0000117427
575V/3ph/60Hz	0000117363	0000117379	0000117403	0000117428
WallPro Double-	160-3/EM	160/4-EM	200/3-EM	200/4-EM
400V/3ph/50Hz	0000117364	0000117380	0000117404	0000117429
208-230V/3ph/60Hz	0000117365	0000117381	0000117405	0000117430
460V/3ph/60Hz	0000117366	0000117382	0000117406	0000117431
575V/3ph/60Hz	0000117367	0000117383	0000117407	0000117432
<b>■ Logistics data</b>				
Gross weight (incl. arm, fan and pallet)				
Packing dimensions (incl. pallet): • filter unit • extraction arms  • fan • remaining parts	850 x 750 x 1400 mm 2100 x 300 x 500 mm (2x)		850 x 750 x 1400 mm 1740 x 355 x 660 mm (2x)   2085 x 355 x 660 mm (2x)	
Harmonized Tariff Code	84213925		84213925	

**DIMENSIONS**

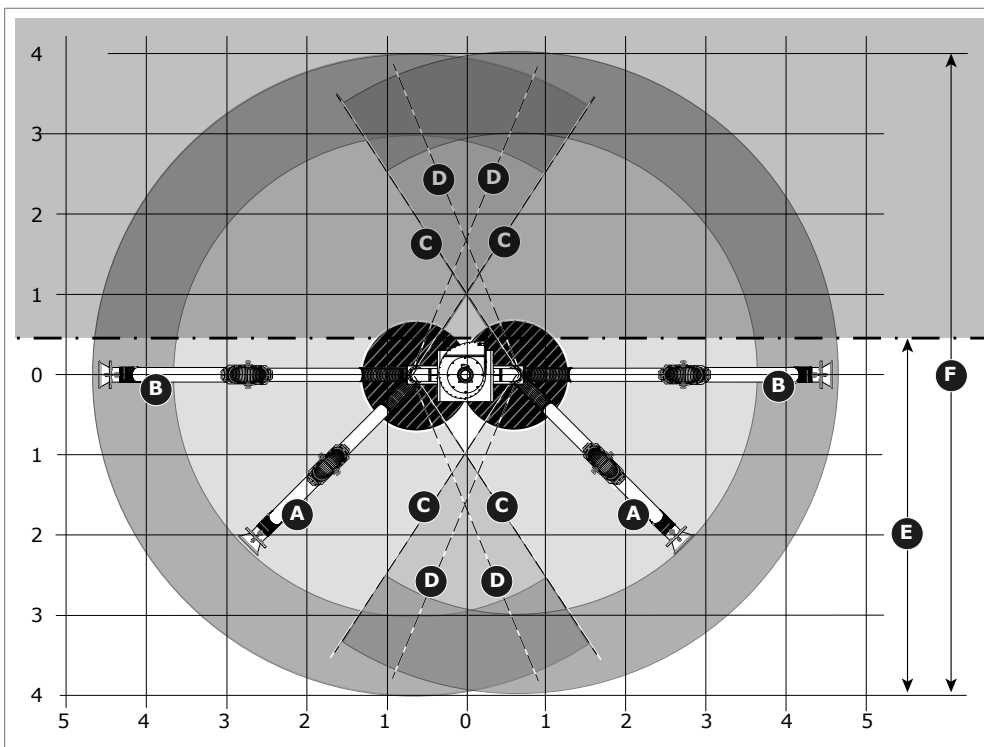


	mm	inch
<b>A</b>	700	27.6
<b>B</b>	2059	81.1
<b>C</b>	1236	48.7
<b>D</b>	764	30.1
<b>E</b>	123	4.8
<b>F</b>	with KUA-160: Ø 164 with KUA-200: Ø 204	Ø 6.5 Ø 8.0
<b>G</b>	1040	40.9

**WORKING RANGE**

WallPro Double "DM": the extraction arms are directly mounted to the housing of the filter unit.

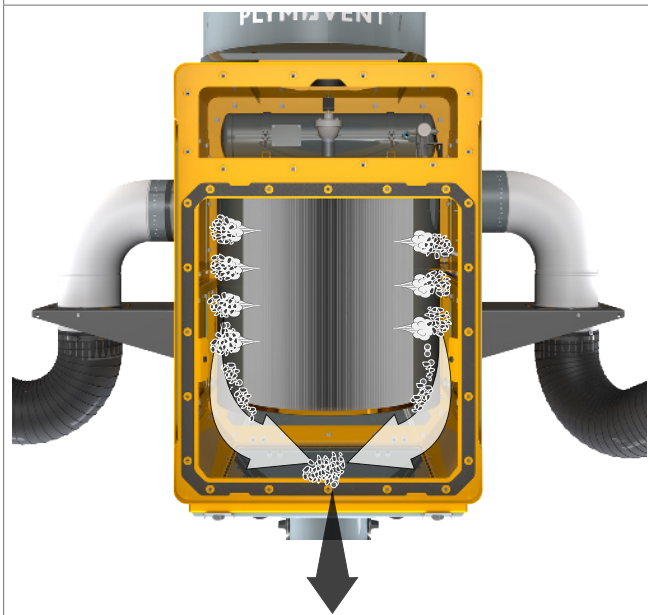
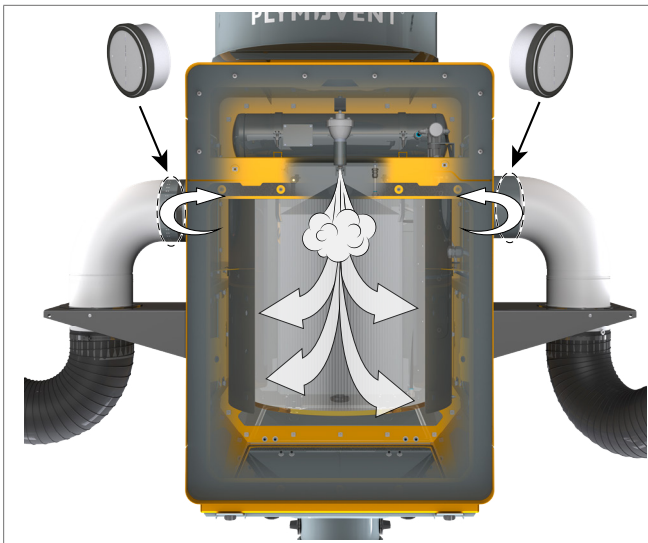
Image: top view; for a side view of the working range per arm, refer to the separate data sheets of the KUA-160 and KUA-200.



Max. distance	
<b>A</b>	KUA-160/3H KUA-200/3H
<b>B</b>	KUA-160/4H KUA-200/4H
Max. angle	
<b>C</b>	KUA-160/3H KUA-160/4H
<b>D</b>	KUA-200/3H KUA-200/4H
Mounting position	
<b>E</b>	Wall mounting
<b>F</b>	On a stanchion or similar

WallPro Double "EM": the extraction arms are mounted separately from the filter unit. The working range thus depends on the duct length between the extraction arms and the filter unit.

**FEATURES & BENEFITS**



Highly effective **offline** filter cleaning



**Dust-free** filter removal & service (bag-in/bag-out)



Dustbin extension set (option) for ease of maintenance

**Lifetime expectancy of the filter cartridge**

The minimum mechanical lifetime expectancy is 12000 pulses @ 5 bar, which is the equivalent of 2 cleaning cycles of 6 pulses per 8 hours for a period of 8000 hours.

*Filter cartridges have been subject to an endurance test of 12000 pulses @ 5 bar without showing any sign of wear.*

**Application restrictions**

Do **not** use the product for the following applications or in the following circumstances: polishing applications in combination with grinding, welding or any other application that generate sparks (fibres from polishing or abrasive flap disks are highly flammable and pose a high risk of filter fires when exposed to sparks) | aluminium laser cutting | oil mist | heavy oil mist in welding fume | arc-air gouging | extraction of aggressive fumes and gases (e.g. from acids, from alkaline, from soldering paste containing lithium) | extraction of hot gases (more than 70°C/158°F continuously) | grinding aluminum and magnesium | flame spraying | extraction of cement, saw dust, wood dust etc. | sucking cigarettes, cigars, oiled tissues and other burning particles, objects and acids | explosive environments or explosive substances/gases

Product type

**WallPro Double**

Article no.

*refer to Order information*

Product category

stationary filter units

Version

140520/E

Always check the latest version on [www.plymovent.com](http://www.plymovent.com)