

WALLPRO SINGLE

STATIONARY WELDING FUME EXTRACTOR

The WallPro Single is a stationary welding fume filter including extraction arm and fan. The highly efficient filter cartridge is automatically cleaned by the integrated RamAir™ pulse amplifier, based on external compressed air supply.

Unlike most similar stationary filter units, filter cleaning also takes place *offline* (fan off), which is much more effective than the usual online (fan on).

The extraction arm can be mounted directly to the filter unit ("DM" types) or at an external position ("EM" types).



Image: WallPro Single "DM"

APPLICATIONS

The WallPro Single is intended to be used for the following applications:

- MIG-MAG/GMAW welding
- TIG welding
- FCAW welding
- stick/MMAW welding
- stainless steel welding
- grinding
- polishing
- finishing



SPECIFICATIONS (general)

Physical dimensions and properties (filter unit)

Material (housing):	electro-zinc coated steel (according to DIN EN 10152)
• steel grade	• DC01+ZE
• steel grade no.	• 1.0330
Colour	yellow RAL 1004 grey RAL 7011
Weight (net), excl. arm + fan	125 kg
Supply cable	not included
Capacity of dustbin	18 litres

Filter cartridge

Type	CART-O/PTFE/20
Filter material	BiCo polyester with PTFE membrane
Filter surface area	20 m ²
Shape	cylindric
Washable	no
Lifetime expectancy	ref. explanation on page 4

Compressed air system

Required compressed air quality	dry and oil-free according to ISO 8573-3 class 6
Inlet pressure	5-10 bar (75-150 PSI)
Required pressure	5 bar (75 PSI) (by integrated pressure regulator)
Compressed air connection	G 3/8" (female)
Compressed air consumption	35 NI (1.2 ft ³) per pulse
Volume of compressed air tank	9 litres (2.4 gallon)

Activation of filter cleaning system (both online and offline)	<ul style="list-style-type: none"> • pressure controlled • manually by push button • at shutdown
Duration of filter cleaning cycle	60 seconds (6 pulses)

Ambient and process conditions

Process temperature:	<ul style="list-style-type: none"> • min. 5°C (41°F) • nom. 20°C (68°F) • max. 70°C (158°F)
Max. relative humidity	90%
Suitable for outdoor use	no
Storage conditions	<ul style="list-style-type: none"> • 5-45°C (41-113°F) • relative humidity max. 80%




Options and accessories (general)

Dustbin extension set	<ul style="list-style-type: none"> • metric Ø 200 mm • imperial Ø 8 inch
WCS-WP	welding cable sensor
Filter disposal bag (5 pieces)	for dust-free filter removal

Scope of supply

Filter unit (without side panels) – Side panel set – Extraction arm – Mounting bracket – Fan – Dustbin – Air hose (filter pressure) 2x10 m – Control box – Arm/duct mounting kit (inlet flange + non-return valve) – SealApplicator (seal assembly lubricant) – Fan outlet transition from rectangular to round – Filter disposal bag (5 pieces)

APPROVALS/CERTIFICATES

 50Hz	 60Hz	Control box
Welding fume class		W3 according to ISO 15012-1:2013
		Directive 2011/65/EC (RoHS) valid as of 8 June 2011

SPECIFICATIONS (per product type)

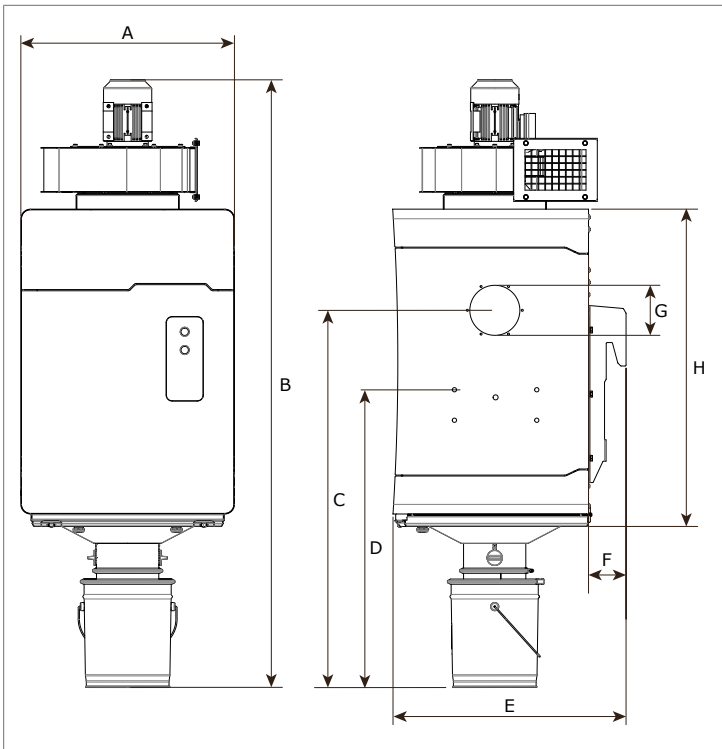
WallPro Single-	160/3-DM	160/4-DM	200/3-DM	200/4-DM	200/3-DM PowerPlus	200/4-DM PowerPlus
	160/3-EM	160/4-EM	200/3-EM	200/4-EM	200/3-EM PowerPlus	200/4-EM PowerPlus
■ Extraction arm¹						
Type	KUA-160/3H	KUA-160/4H	KUA-200/3H	KUA-200/4H	KUA-200/3H	KUA-200/4H
Length	3 m	4 m	3 m	4 m	3 m	4 m
Diameter	Ø 160 mm		Ø 200 mm		Ø 200 mm	
■ Extraction fan¹						
Type	FUA-3000		FUA-3000		FUA-4700	
Power consumption: • 50Hz units • 60Hz units	1,1 kW (1.5 HP) 1,5 kW (2 HP)		1,1 kW (1.5 HP) 1,5 kW (2 HP)		2,2 kW (3 HP) 2,2 kW (3 HP)	
Motor design: • 50Hz units • 60Hz units	IEC NEMA		IEC NEMA		IEC NEMA	
Energy efficiency: • 50Hz units • 60Hz units	IE3 premium		IE3 premium		IE3 premium	
Fan outlet (via adapter)	Ø 250 mm		Ø 250 mm		Ø 250 mm	
■ Performance						
Extraction capacity	max. 1000 m ³ /h (560 CFM)		max. 1450 m ³ /h (855 CFM)		max. 1800 m ³ /h (1060 CFM)	
Noise level ² • with optional silencer	75 dB(A) 67 dB(A)		75 dB(A) 67 dB(A)		76 dB(A) 67 dB(A)	
■ Options and accessories						
Silencer	SAS-250 straight		SAS-250 straight		SAS-250 straight	
Manual on/off switch on the hood, incl. LED working light	LL-5.5/24-160		LL-5.5/24-200		LL-5.5/24-200	

¹ Refer to the separate product data sheets for more detailed information

² According to ISO 3746

■ Order information						
	Article no.	Article no.	Article no.	Article no.	Article no.	Article no.
WallPro Single-	160-3/DM	160/4-DM	200/3-DM	200/4-DM	200/3-DM PowerPlus	200/4-DM PowerPlus
400V/3ph/50Hz	0000117352	0000117368	0000117388	0000117413	0000117384	0000117408
208-230V/3ph/60Hz	0000117353	0000117369	0000117389	0000117414	0000117385	0000117409
460V/3ph/60Hz	0000117354	0000117370	0000117390	0000117415	0000117386	0000117411
575V/3ph/60Hz	0000117355	0000117371	0000117391	0000117416	0000117387	0000117412
WallPro Single-	160-3/EM	160/4-EM	200/3-EM	200/4-EM	200/3-EM PowerPlus	200/4-EM PowerPlus
400V/3ph/50Hz	0000117356	0000117372	0000117396	0000117421	0000117392	0000117417
208-230V/3ph/60Hz	0000117357	0000117373	0000117397	0000117422	0000117393	0000117418
460V/3ph/60Hz	0000117358	0000117374	0000117398	0000117423	0000117394	0000117419
575V/3ph/60Hz	0000117359	0000117375	0000117399	0000117424	0000117395	0000117420
■ Logistics data						
Gross weight (incl. arm, fan and pallet)						
Packing dimensions (incl. pallet):						
• filter unit	850 x 750 x 1400 mm		850 x 750 x 1400 mm		850 x 750 x 1400 mm	
• extraction arm	2100 x 300 x 500 mm		1740 x 355 x 660 mm	2085 x 355 x 660 mm	1740 x 355 x 660 mm	2085 x 355 x 660 mm
• fan						
• remaining parts						
Harmonized Tariff Code	84213925		84213925		84213925	

DIMENSIONS

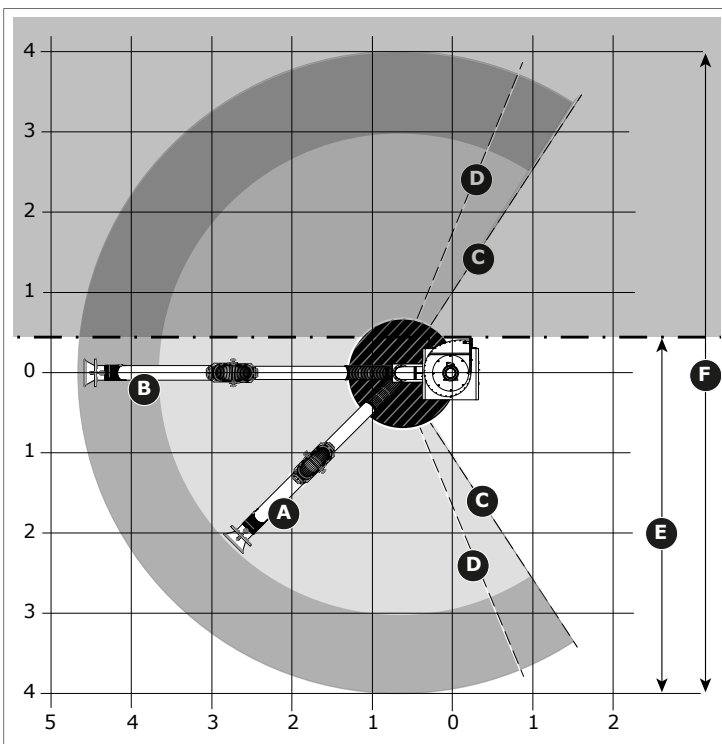


	mm	inch	
A	700	27.6	
B	with FUA-3000: with FUA-4700:	1991 2059	78.4 81.1
C	1236	48.7	
D	975	38.4	
E	764	30.1	
F	123	4.8	
G	with KUA-160: with KUA-200:	Ø 164 Ø 204	Ø 6.5 Ø 8.0
H	1040	40.9	

WORKING RANGE

WallPro Single "DM": the extraction arm is directly mounted to the housing of the filter.

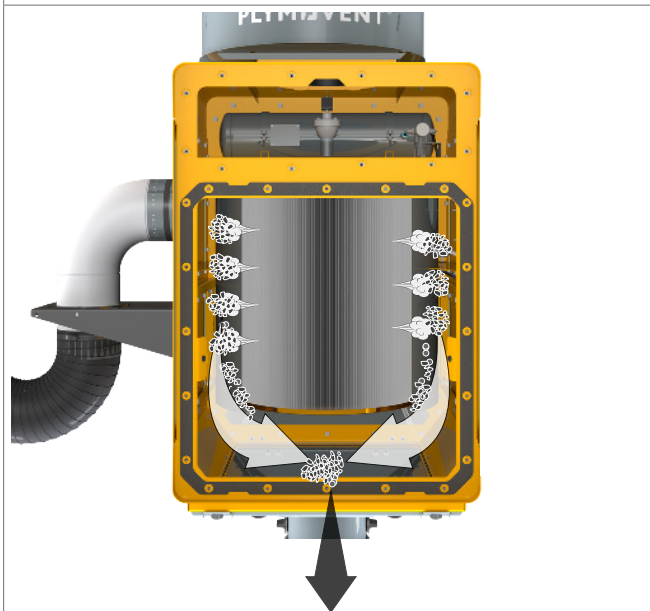
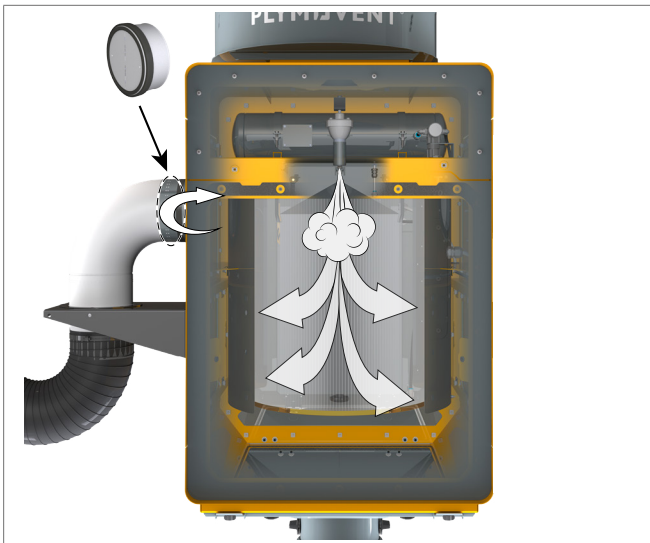
Image: top view; for a side view of the working range per arm, refer to the separate data sheets of the KUA-160 and KUA-200



Max. distance			
A	KUA-160/3H KUA-200/3H	B	KUA-160/4H KUA-200/4H
Max. angle			
C	KUA-160/3H KUA-160/4H	D	KUA-200/3H KUA-200/4H
Mounting position			
E	Wall mounting	F	On a stanchion or similar

WallPro Single "EM": the extraction arm is mounted separately from the filter unit. The working range thus depends on the length of the duct between the extraction arm and the filter unit.

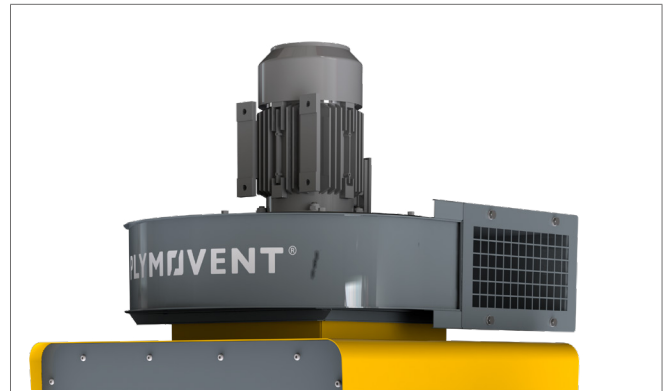
FEATURES & BENEFITS



Highly effective **offline** filter cleaning



Dust-free filter removal & service (bag-in/bag-out)



The WallPro "PowerPlus" – that combines the largest arm diameter with an extra powerful fan – is particularly suitable for heavy duty applications with large quantities of fume, such as flux-cored arc welding in combination with an automated welding process



Dustbin extension set (option) for ease of maintenance

Lifetime expectancy of the filter cartridge

The minimum mechanical lifetime expectancy is 12000 pulses @ 5 bar, which is the equivalent of 2 cleaning cycles of 6 pulses per 8 hours for a period of 8000 hours.

Filter cartridges have been subject to an endurance test of 12000 pulses @ 5 bar without showing any sign of wear.

Application restrictions

Do **not** use the product for the following applications or in the following circumstances: polishing applications in combination with grinding, welding or any other application that generate sparks (fibres from polishing or abrasive flap disks are highly flammable and pose a high risk of filter fires when exposed to sparks) | aluminium laser cutting | oil mist | heavy oil mist in welding fume | arc-air gouging | extraction of aggressive fumes and gases (e.g. from acids, from alkaline, from soldering paste containing lithium) | extraction of hot gases (more than 70°C/158°F continuously) | grinding aluminum and magnesium | flame spraying | extraction of cement, saw dust, wood dust etc. | sucking cigarettes, cigars, oiled tissues and other burning particles, objects and acids | explosive environments or explosive substances/gases

Product type

WallPro Single

Article no.

refer to Order information

Product category

stationary filter units

Version

140520/E

Always check the latest version on www.plymovent.com